

# FIRE HYDRANT SYSTEM & EQUIPMENT

---

The main components of a fire hydrant system are fire hoses, fire hydrants, valves and breeching inlets. A fire hydrant is an above-ground piece of equipment that gives access to a water supply that may or may not be pressurised. The system can either be a dry riser system or a wet riser system.

In a dry riser system, the water needed to fight a fire in an emergency is charged by the fire brigade. The breeching inlets are usually housed in cabinets installed in each floor of a building.

The wet riser system holds pressurised water which is connected to the water mains and the water is kept in check by means of valves. The breeching inlets for this system are also housed in inlet cabinets that indicate the type of riser system in use.



# YAMA and COMMANDER Fire Hose

As conduits for high-pressure water, fire hoses must effectively contain, transport and discharge these substances when they are required to at a fire. It's also essential that the accompanying nozzles and couplings are versatile and easily assembled.

After use, a fire hose should be hung up to dry to remove any standing water inside which, over time, can have a deteriorating effect on the hose. Hydrant hose cabinets, with louvers for ventilation, keep the hoses dry, organised and neatly out of sight.

YAMA and COMMANDER are lightweight, single jacketed fire hoses with an inner rubber lining protected by tough, woven polyester fabric on the outside. They are designed to resist extreme temperatures, cracking, acids, chemicals, kinking and abrasion.

UNIQUE FIRE carries a range of YAMA and COMMANDER fire hoses that vary in size, length, colour, working pressure and bursting pressure. Choose the fire hose that best suits your needs.

## YAMA Fire Hose



TECHNICAL DATA			
<b>Code No.</b>	FH-13W-40	FH-13W-65	FH-10W-65
<b>Size</b>	40mm	65mm	65mm
<b>Working Pressure</b>	13 bar		10 bar
<b>Burst Pressure</b>	30 bar		25 bar
<b>Test Pressure</b>	20 bar		16 bar
<b>Length</b>	30m		
<b>Finishing</b>	White		

## COMMANDER Fire Hose



TECHNICAL DATA		
<b>Code No.</b>	FH-16W-65	FH-16R-65
<b>Size</b>	65mm	65mm
<b>Working Pressure</b>	16 bar	
<b>Burst Pressure</b>	32 bar	
<b>Length</b>	30m	
<b>Test Pressure</b>	25 bar	25 bar
<b>Finishing</b>	White	Red

# GOMTEX Fire Hose

## GOMTEX Fire Hose with Copper Coupling

As conduits for high-pressure water, fire hoses must effectively contain, transport and discharge these substances when they are required to at a fire. It's also essential that the accompanying nozzles and couplings are versatile and easily assembled.



**First Layer:** A perfectly smooth, inner nitrile rubber layer completely resistant to the most aggressive liquids.

**Second Layer:** A high-tenacity polyester/polyamide inner layer with a structure that offers great flexibility and strength.

**Third Layer:** Outside rubber layer to protect the textile fabric as well as to ensure that the inner and outer rubber layers are highly adhesive. The hose is ribbed for easier handling and improved abrasion.

### Features

- Resistant to multiple agents: abrasion, acids, chemicals, extreme temperatures, cracking, delamination, heat, kinking, oils, ozone, adverse weather conditions etc.
- Operating temperature: -30°C to 50°C
- No maintenance required.
- No drying required after use.
- Easy to coil, dry or wet.

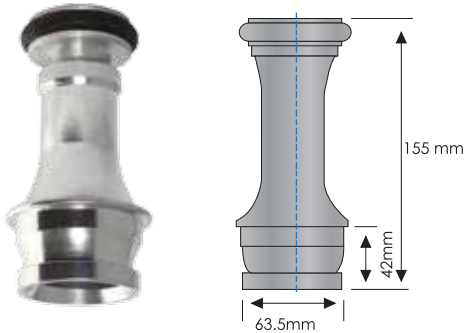
### TECHNICAL DATA

Code No.	Inner Diameter		Weight		Thickness	Working Pressure		Test Pressure		Burst Pressure	
	mm	inch	g/m	lbs/ft	mm	bar	psi	bar	psi	bar	psi
<b>FH-20GR-40</b>	38	1 1/2"	340	0.230	2.25	20	290	30	435	60	870
<b>FH-20GR-50</b>	52	2	450	0.300	2.40	20	290	30	435	55	800
<b>FH-20GR-65</b>	63.5	2 1/2"	600	0.400	2.40	20	290	30	435	50	725



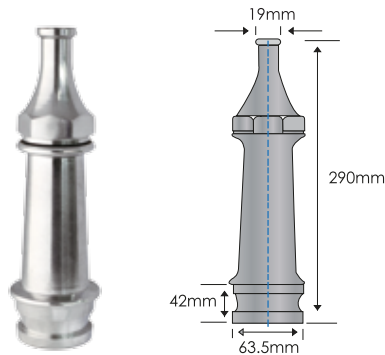
# Fire Hydrant Equipment

## Diffuser Nozzle



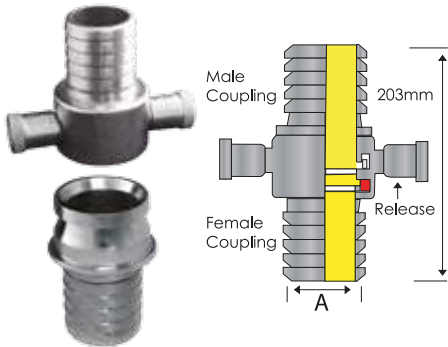
TECHNICAL DATA	
<b>Code No.</b>	FN
<b>Material</b>	Light Alloy/ Brass/ Bronze
<b>Inlet</b>	Ø65mm (male)
<b>Connection</b>	Instantaneous

## Branch Pipe with Nozzle



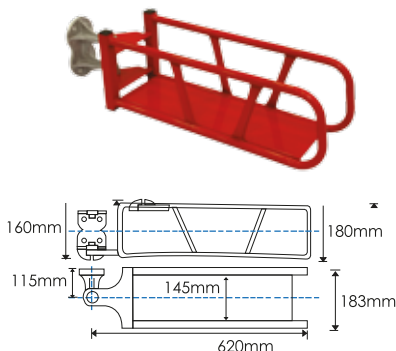
TECHNICAL DATA	
<b>Code No.</b>	WRU-BPN
<b>Material</b>	Light Alloy/ Brass/ Bronze
<b>Inlet</b>	Ø65mm (male)
<b>Connection</b>	Instantaneous
<b>Flow Rate @ 4.4 bar</b>	510 L/min
<b>Throw Range</b>	22m

## Instantaneous Coupling



TECHNICAL DATA	
<b>Code No.</b>	FHC-F40, FHC-M40 FHC-F65, FHC-M65
<b>Material</b>	Light Alloy
<b>Inlet</b>	Ø40mm Ø65mm
<b>Connection</b>	Instantaneous

## Hose Cradle



TECHNICAL DATA	
<b>Code No.</b>	WRU-HC
<b>Material</b>	Aluminum
<b>Inlet</b>	Mild Steel
<b>Connection</b>	Red Polyester Electrostatic Powder Coating

### UNIQUE 2-Way Fire Hydrant with Landing Valve



TECHNICAL DATA	
<b>Code No.</b>	HYU-2WHV
<b>Working Pressure</b>	15 bar
<b>Test Pressure</b>	30 bar
<b>Flange Inlet Size</b>	100mm Table E
<b>Outlet</b>	BS 366 Female Instantaneous
<b>Material</b>	Cast Iron (Body)
	Copper (Alloy Valve)
<b>Finishing</b>	Yellow

### UNIQUE Breeching Inlet



TECHNICAL DATA		
<b>Code No.</b>	DRS-2W	WRU-4W
<b>Model</b>	2 Way Breeching Inlet	4 Way Breeching Inlet
<b>Working Pressure</b>	10 bar	10 bar
<b>Test Pressure</b>	20 bar	20 bar
<b>Inlet Size</b>	BS 366 Female Instantaneous	BS 366 Female Instantaneous
<b>Outlet Size</b>	Flange 100mm Table E	Flange 150mm Table E
<b>Material</b>	Cast Iron (Body)	
	Copper Alloy (Male Instantaneous)	
<b>Finishing</b>	Red	

### UNIQUE Pressure Reducing Valve



TECHNICAL DATA		
<b>Code No.</b>	WRU-EPRV	WRU-EPRV-F
<b>Type</b>	Thread	Flange
<b>Size</b>	Ø65mm (2 1/2")	
<b>Test Pressure</b>	30 bar	
<b>Inlet Pressure</b>	Up to 20 bar	
<b>Inlet Size</b>	65mm BSP Thread	
<b>Outlet Size</b>	BS 336 Female Instantaneous	
<b>Material</b>	Copper Alloy (Body)	
	Cast Iron (Handwheel)	
<b>Finishing</b>	Red	
<b>Features</b>	Suitable to use for inlet pressure up to 20 bar	
	Setting for reduced outlet static pressure from 5 to 8 bar	
	When inlet pressure range from 7 to 20 bar, outlet pressure will remain constantly	

### UNIQUE Fire Hydrant Valve



TECHNICAL DATA		
Code No.	DRU-LV	DRU-LV-F
Model	Thread	Flange
Size	Ø65mm (2 1/2")	
Working Pressure	7 bar	
Test Pressure	30 bar	
Inlet Size	65mm BSP Thread	
Outlet Size	BS 336 Female Instantaneous	
Material	Copper Alloy (Body)	
	Cast Iron (Handwheel)	
Finishing	Red	

### UNIQUE Breaching Inlet Cabinet



TECHNICAL DATA		
Code No.	CAB-2W	CAB-4W
Model	2 Way Breaching Inlet	4 Way Breaching Inlet
Size (mm)	595(W)x395(H)x295(D)	595(W)x595(H)x295(D)
Material	Mild Steel	
Thickness	0.9mm	
Outlet	Flange 100mm Table E	Flange 150mm Table E
Finishing	Epoxy Powder Red	
Design	BS 5041: Part 5	

### Hydrant Hose Cabinet



TECHNICAL DATA		
Code No.	CAB-HCL	CAB-HC
Model	With Legs	Without Legs
Size (mm)	560(W)x1170(H)x330(D)	560(W)x600(H)x330(D)
Material	18 Gauge Zintec Steel Sheet	
Finishing	Red Polyester Electrostatic Powder Coating	