

FIRE HOSE REEL

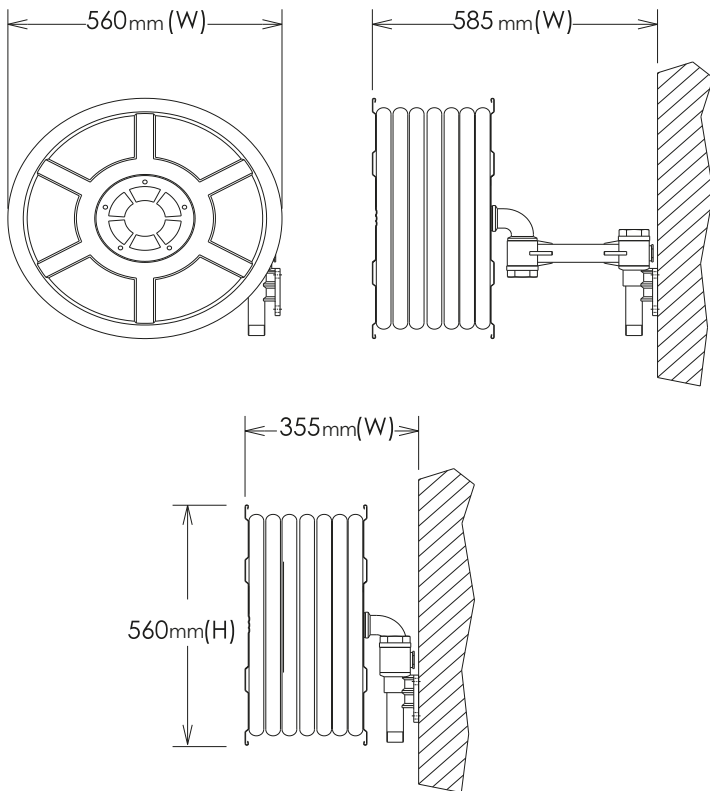
A Fire Hose Reel is designed to carry and manage a heavy, high-pressure fire hose, keeping it ready and in good condition as a conduit for water in case a fire occurs. The circular reel drum also makes it easy to reel out the fire hose for use in a fire, and to reel it in for storage.



UNIQUE Fire Hose Reel

The design, manufacture and testing of the UNIQUE Fire Hose Reel complies with MS 1447 : Part 1: 2006 standards. The fire hose meets the standards of BS EN 694 : 2001.

The sturdy steel side plate allows the reel drum to be easily swivelled to the left or right when needed.



TECHNICAL DATA	
Code No.	HRU-DR-25 (Drum) HRU-HO-25 (Hose) HRU-NOZ-NY-25 (Nylon Nozzle) HRU-NOZ-AB-25 (ABS Brass Nozzle) HRU-NOZ-BR-25 (Chrome Nozzle) HRU-CL-25 (Clip)
Drum Size	560mm (22")
Type	Swing Manual
Finishing	Epoxy Powder Red
Hose Diameter	25mm
Hose Length	30m
Working Pressure	12 bar (174psi)
Test Pressure	18 bar (261psi)
Nozzle Type	Jet/Spray/Shut-Off
Nozzle Size	25mm



SIRM
Certified To:
MS 1447 : PART 1 : 2006
Certification No: PC001032

UNIQUE FIRE INDUSTRY SDN BHD Co. No. 418731-U
Trading & Servicing of Fire Protection Equipment
ISO 9001: 2008 Certified Company

No. 9, Jalan Anggerik Mokara 31/55, Kota Kemuning, Seksyen 31, 40460, Shah Alam, Selangor, Malaysia
T: +603 5131 1226 F: +603 5131 3326 (Account) F: +603 5131 3826 (Sales) F: +603 5131 2731 (Sales)
F: +603 5131 1863 (Counter Sales) E: enquiry@uniquefire.com W: www.uniquefire.com



YOUR GUARD AGAINST FIRE HAZARDS

Accessories

UNIQUE Fire Hose Drum



TECHNICAL DATA	
Model No.	HRU- DR- 25
Diameter	560mm(22")
Type	Swing Manual
Material	C.R Steel
Finishing	Epoxy Powder Red

UNIQUE Fire Hose Reel Hose



TECHNICAL DATA	
Code No.	HRU- HO- 25
Size	25mm
Length	30m
Working Pressure	12 bar (174psi)
Test Pressure	18 bar (261 psi)
Material	PVC
Finishing	Black
Design	Comply to EN 694

UNIQUE Fire Hose Reel Nozzle



Nylon

Chrome
Brass

ABS
Brass

TECHNICAL DATA			
Code No.	HRU-NOZ- NY- 25	HRU-NOZ-BR-25	HRU-NOZ-AB-25
Material	Nylon	Chrome Brass	ABS Brass
Type	Jet/ Spray/ Shut-Off		
Finishing	Red	Chrome	Chrome Plated
Spray Range	10m (approx.)		
Flow Rate @ 2.0 bar	33 L/min	26.6 L/min	35.7 L/min
Throw Range	13.5 m	10.8 m	11.2 m

Accessories

Fire Hose Reel Nozzle Box



TECHNICAL DATA	
Code No.	CAB-NB
Size	130mm(W) x 55mm(D) x 130mm(H)
Thickness	0.9mm
Type	Wall Mounted
Finishing	Epoxy Powder Red
Material	Mild Steel

Fire Hose Reel Cabinet (Wall Mounted)



TECHNICAL DATA	
Code No.	CAB-HR
Size	750mm(W) x 350mm(D) x 750mm(H)
Thickness	0.9mm
Type	Wall Mounted
Finishing	Epoxy Powder Red
Material	Mild Steel

Air Release Valve



TECHNICAL DATA	
Code No.	WRU-ARV
Size	25mm (1")
Material	Copper Alloy
Finishing	Chrome Plated
Working Pressure	15 bar (max)
Test Pressure	20 bar

Fire Hose Clip



TECHNICAL DATA	
Code No.	HRU-CL-25
Size	25mm - 35mm
Material	Mild Steel
Finishing	Galvanised